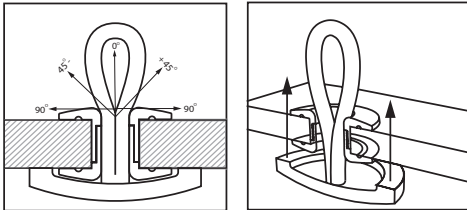
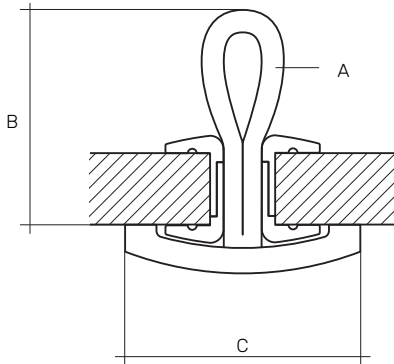


# ROPEYE PRO

Ropeye PRO Loop comes with a curved pad to evenly distribute loads across the pad resulting in higher working load.



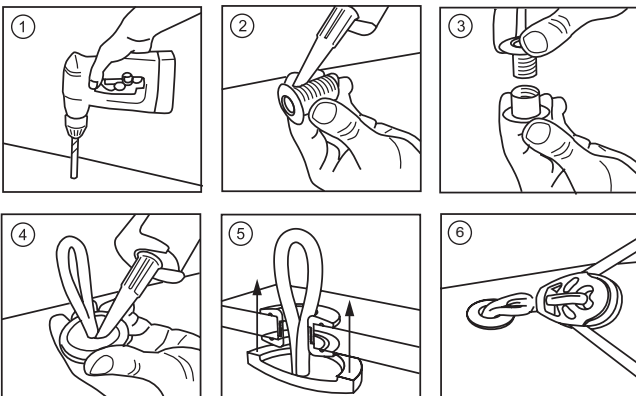
Ropeye PRO Loop is designed for loads in every direction without decreasing working load.



ROPEYE PRO C/B-A	A Rope mm	B Loop mm	C Pad mm	Weight /g	Max Breaking Load kg	Safe Working Load kg	Suitable DTDP for loop
ROPEYE PRO 50/40-4	4	40	50	17.5	1100	550	DTDP 10
ROPEYE PRO 50/60-4	4	60	50	18.5	1100	550	DTDP 10
ROPEYE PRO 50/80-4	4	80	50	19.5	1100	550	DTDP 10
ROPEYE PRO 60/60-6	6	60	60	30	2200	1100	DTDP 14
ROPEYE PRO 60/80-6	6	80	60	32	2200	1100	DTDP 14
ROPEYE PRO 60/100-6	6	100	60	33	2200	1100	DTDP 14
ROPEYE PRO 70/80-8	8	80	70	50.5	3500	1750	DTDP 18
ROPEYE PRO 70/100-8	8	100	70	53	3500	1750	DTDP 18
ROPEYE PRO 70/120-8	8	120	70	55	3500	1750	DTDP 18

**NB!** ALL PRODUCTS ALSO AVAILABLE IN GLASS FIBER

## INSTALLATION



Drill a hole for the double TDP. Clean the installation area with acetone to remove dust and grease. Apply Sikaflex 291i or other adhesive to make the installation watertight. Tighten the double TDP. Attach the SLR to the loop. Wait 24 hours before putting any load on the product.

## ATTENTION

- DRILL THE INSTALLATION HOLE THE RIGHT SIZE
- PRO LOOPS MUST ALWAYS BE USED WITH A DOUBLE TDP
- SLR USAGE IS RECOMMENDED TO AVOID PREMATURE WEAR OF THE LOOP
- REGULARLY EXAMINE THE LOOP FOR SIGNS OF DAMAGE
- DAMAGED LOOPS ARE UNSAFE AND MUST BE REPLACED
- DO NOT EXCEED SAFE WORKING LOAD

IF YOU NEED ANY HELP ON INSTALLATION SEND AN EMAIL TO:  
SALES@ROPEYE.COM

ROPEYE PRODUCTS HAVE A 2 YEAR WARRANTY



www.ropeye.com