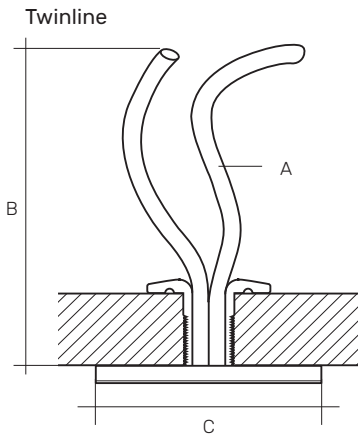


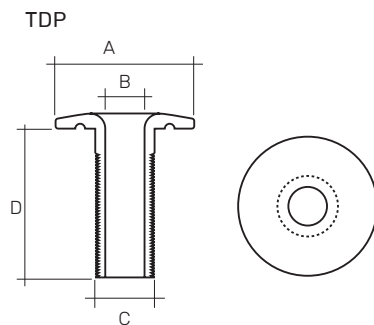
ROPEYE Tinline

Ropeye Tinline is designed to attach the block straight to Ropeye pad without additional tools. The length of the noose is adjustable.



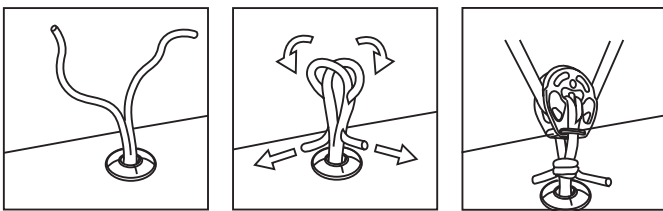
Ropeye TWL A	A Rope mm	B Loop mm	C Pad mm	Weight g	Max Breaking Load kg	Safe Working Load kg	Suitable TDP for loop
Ropeye TWL 4	4	650	50	15	400	200	TDP14
Ropeye TWL 5	5	650	50	16.5	450	225	TDP16
Ropeye TWL 6	6	650	50	17	500	250	TDP18

NBI ALL PRODUCTS ALSO AVAILABLE IN GLASS FIBER



TDP C	A Head Ø mm	B Inner Ø mm	C Outer Ø mm	D Length mm	Weight g	Material
TDPXS	20	5	9	10	5.3	Anodised Aluminium
TDP12	28	8	12	30	8.2	Anodised Aluminium
TDP14	30	10	14	30	10	Anodised Aluminium
TDP16	32	12	16	30	11.5	Anodised Aluminium
TDP18	34	14	18	30	12.3	Anodised Aluminium

INSTALLATION



Drill a hole for the TDP. Clean the installation area with acetone to remove dust and grease. Apply Sikaflex 291i or other adhesive to make the installation watertight. Apply pressure to the product to secure it to the installation area. Wait 24 hours before putting any load on the product.

ATTENTION

- DRILL THE INSTALLATION HOLE THE RIGHT SIZE
- TWINLINES MUST ALWAYS BE USED WITH A TDP
- DO NOT EXCEED SAFE WORKING LOAD

IF YOU NEED ANY HELP ON INSTALLATION SEND AN EMAIL TO:
SALES@ROPEYE.COM

ROPEYE PRODUCTS HAVE A 2 YEAR WARRANTY



www.ropeye.com